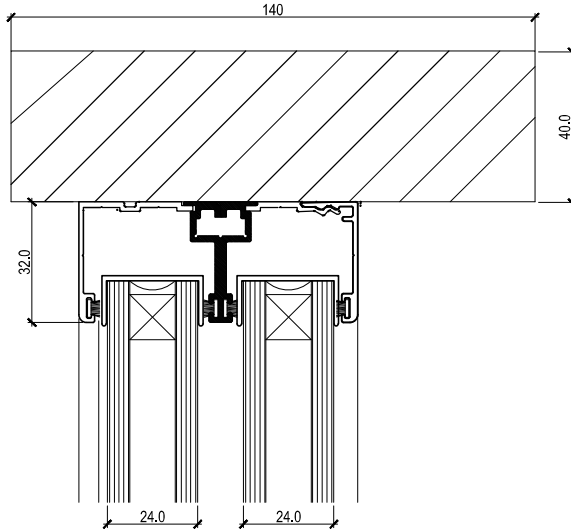


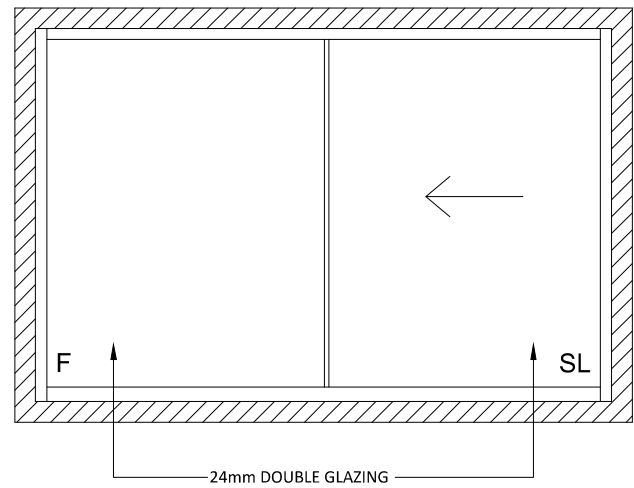
Head, Sill, Interlock and Jamb

Scale 1 : 2

Head Detail

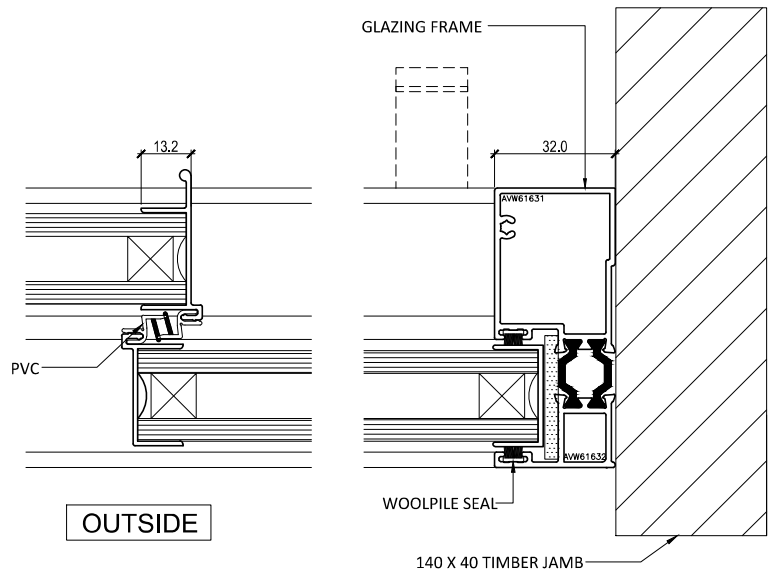
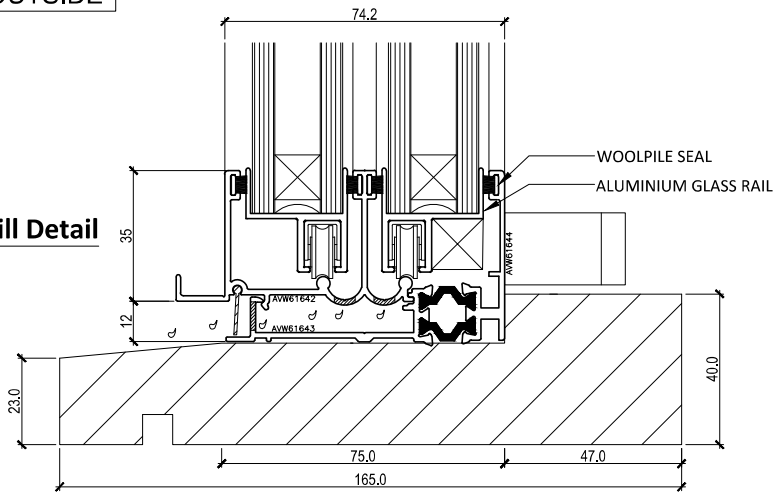


Typical Elevation (External)



OUTSIDE

Sill Detail



OUTSIDE

Interlock Detail

Jamb Detail