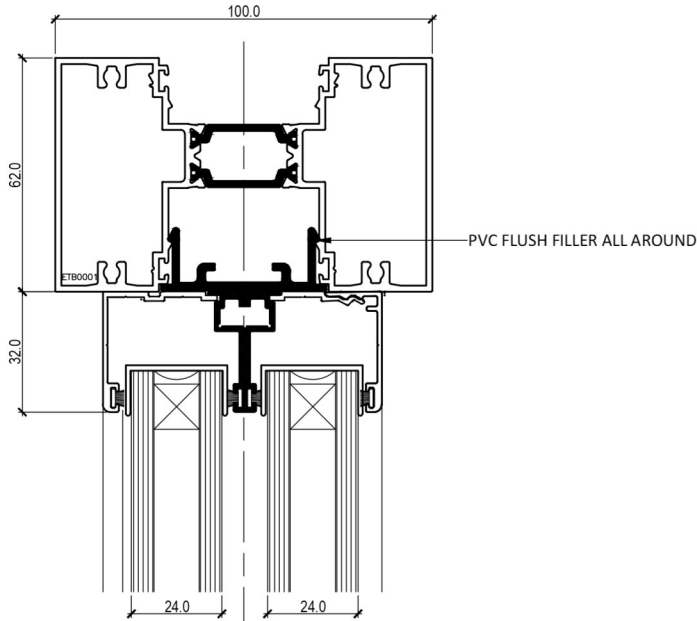


**Head, Sill, Interlock and Jamb**

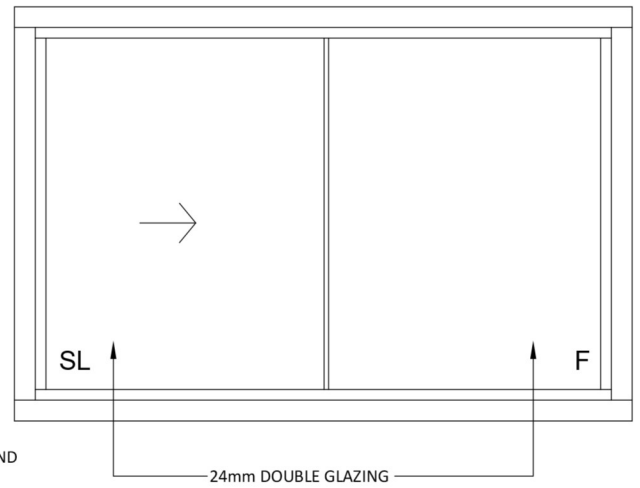
Scale 1 : 2

**Head Detail**

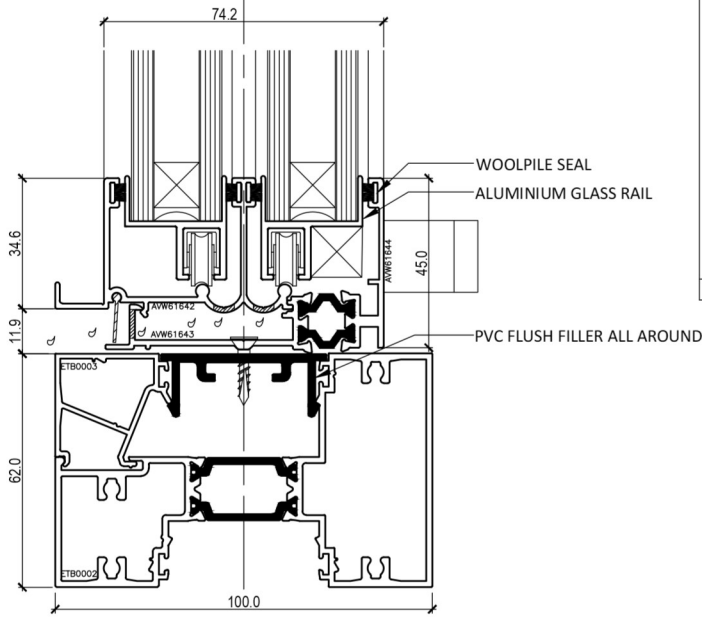


OUTSIDE

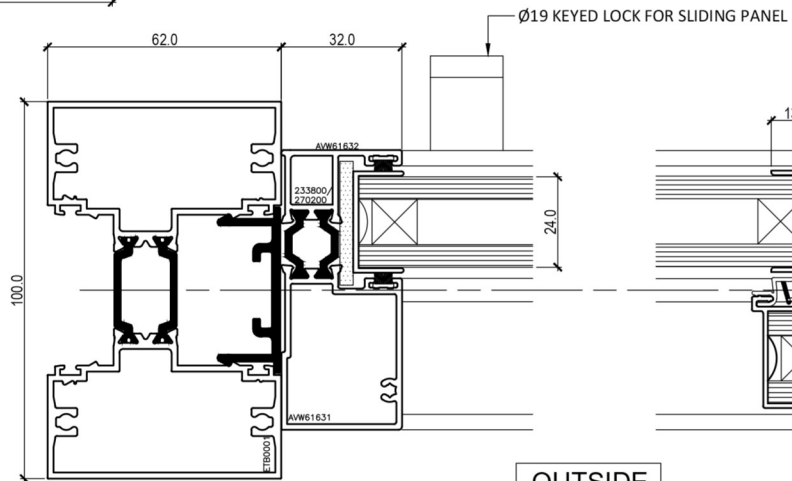
**Typical Elevation (External)**



**Sill Detail**



**Jamb Detail**



OUTSIDE

**Interlock Detail**

