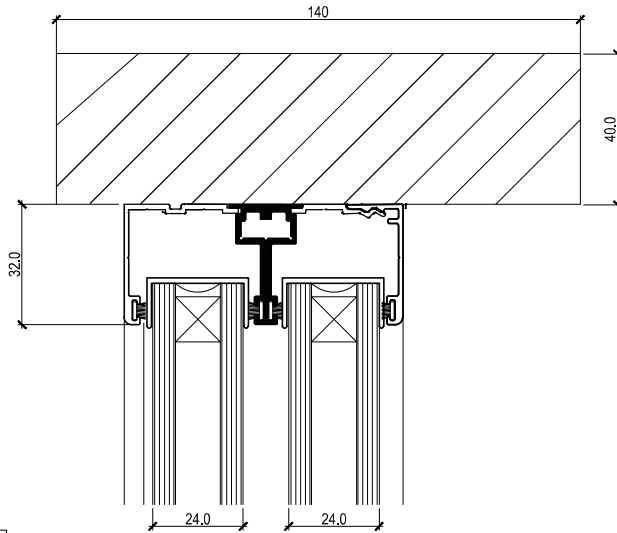


Head, Sill, Interlock and Jamb

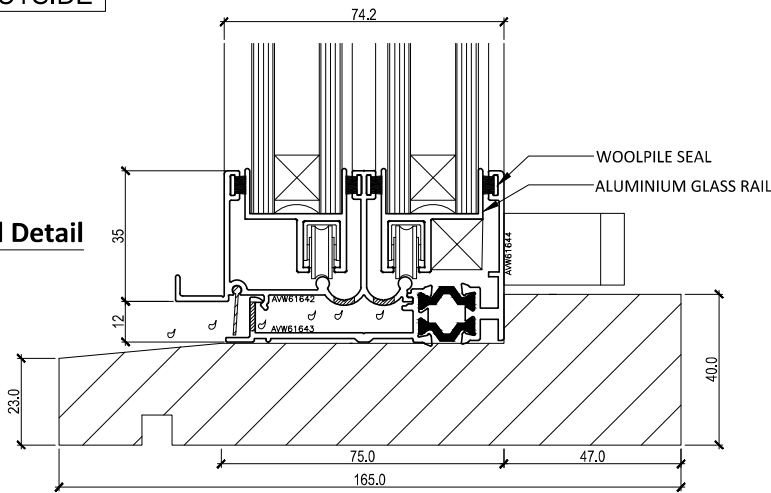
Scale 1 : 2

Head Detail

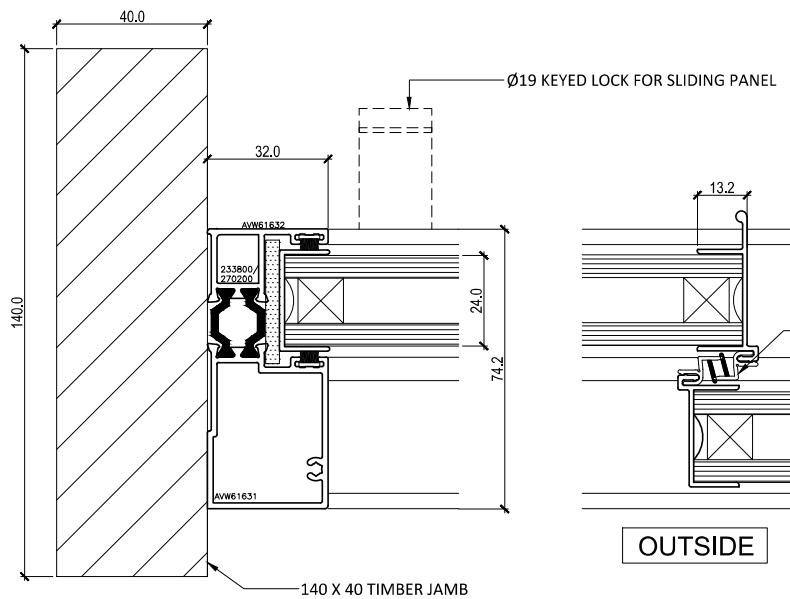
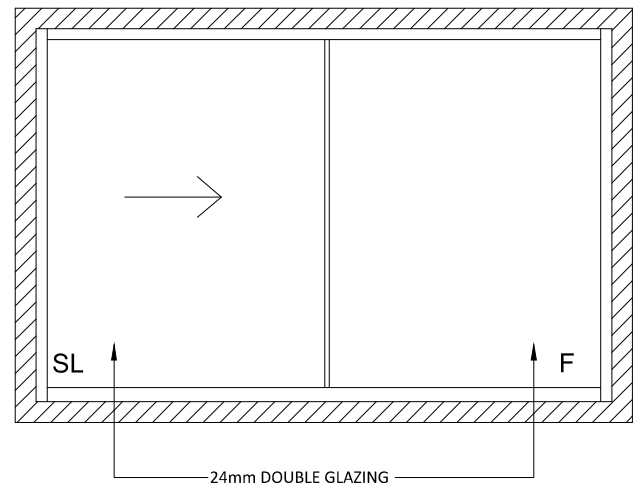


OUTSIDE

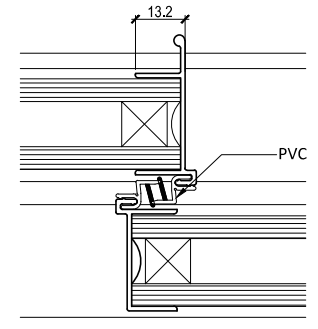
Sill Detail



Typical Elevation (External)



Jamb Detail



OUTSIDE

Interlock Detail