

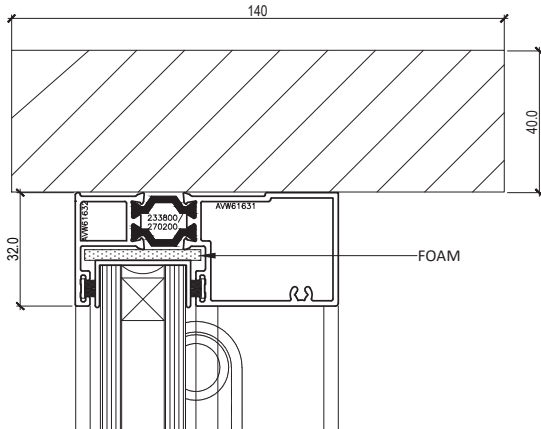
AUSTVIEW THERMASASH THERMALLY
BROKEN DOUBLE HUNG, FIXED TO TIMBER
FRAME



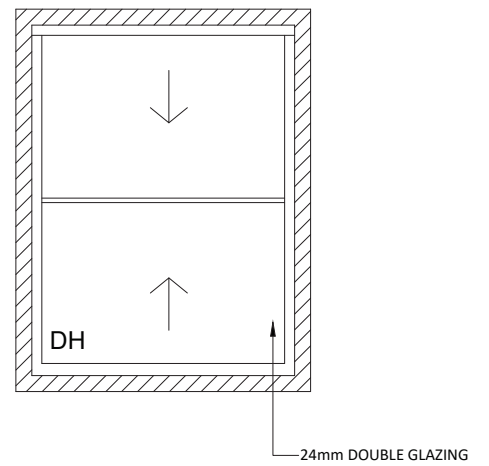
Head, Interlock, Sill and Jamb

Scale 1 : 2

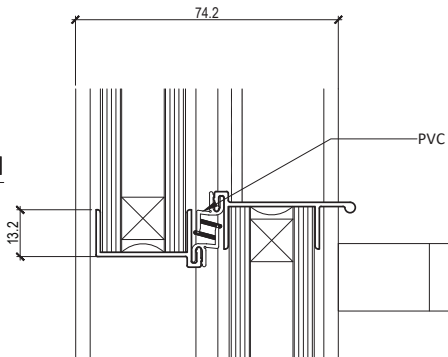
Head Detail



Typical Elevation (External)

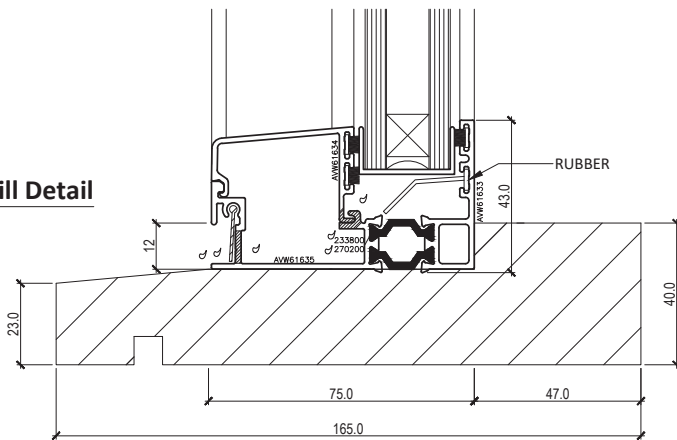


Interlock Detail



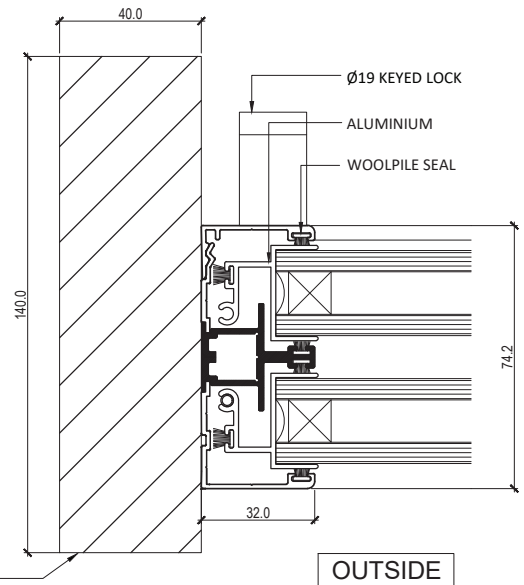
OUTSIDE

Sill Detail



140 X 40 TIMBER JAMB

Jamb Detail



OUTSIDE